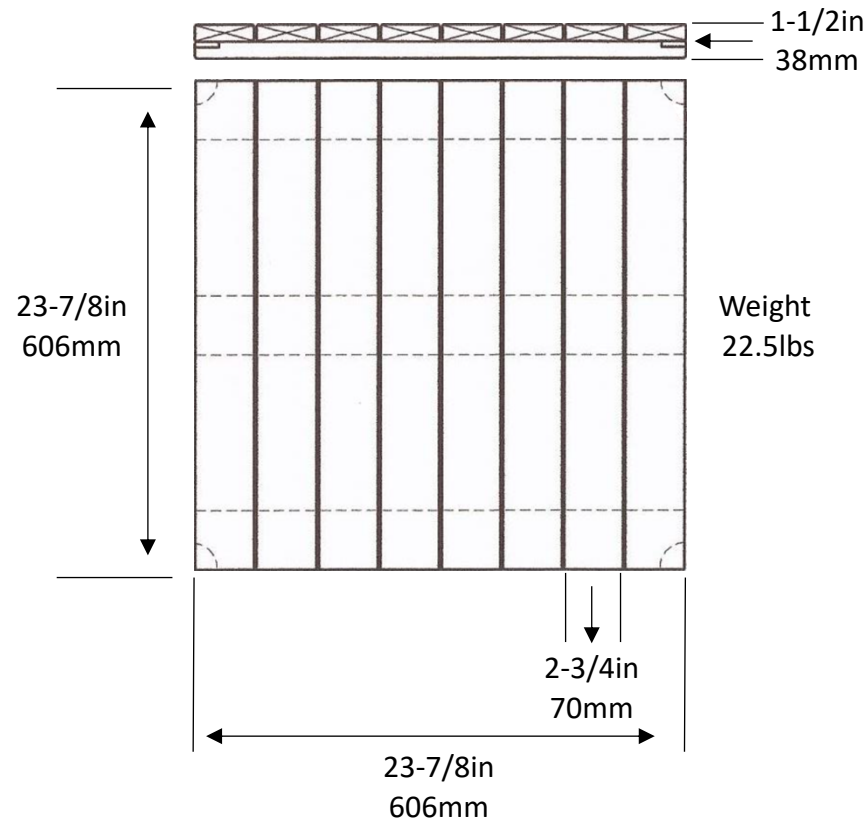




24IN IPE WOOD STRUCTURAL PANELS SPEC SHEET

38MM



(302) 427-7578



WWW.COVERDECK.COM



SUPPORT@COVERDECK.COM



408 A MECO DRIVE
WILMINGTON, DE 19804