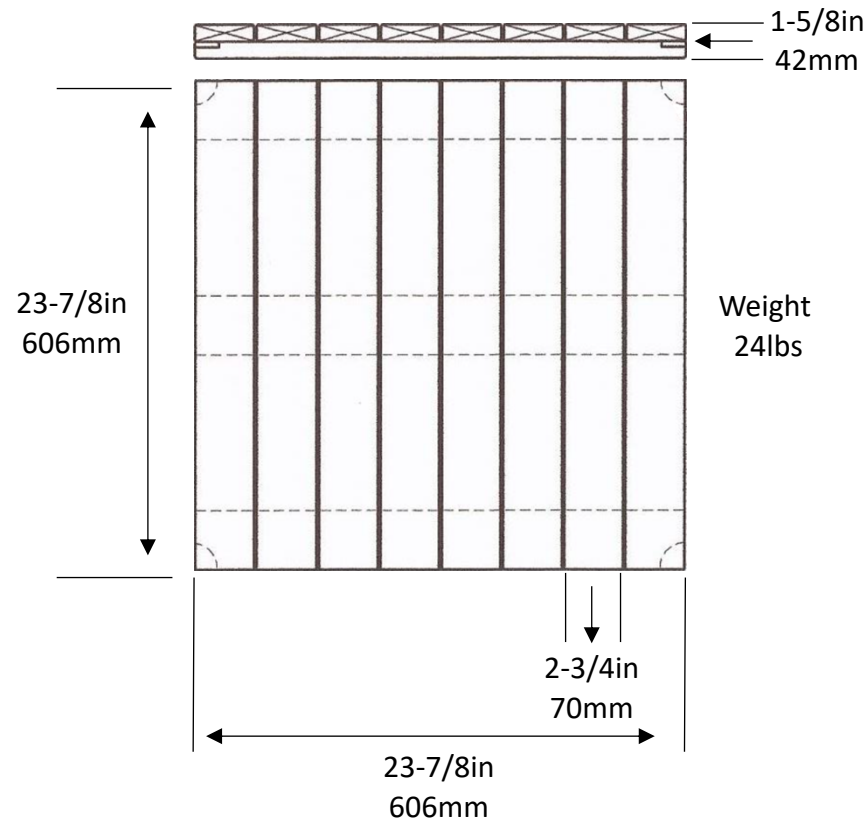




# 24IN IPE WOOD STRUCTURAL PANELS SPEC SHEET

42MM



(302) 427-7578



[WWW.COVERDECK.COM](http://WWW.COVERDECK.COM)



[SUPPORT@COVERDECK.COM](mailto:SUPPORT@COVERDECK.COM)



408 A MECO DRIVE  
WILMINGTON, DE 19804